

Motion Ballscrews SFU Series



FEATURES

- 12mm to 80mm Screw Diameters
- 4mm to 20mm Leads
- Dynamic Loads to to 12,911 kgf
- Static Loads up to 47,747 kgf
- Available in Left and Right helix
- C7 Standard Accuracy
- P1 Standard Preload
- Other Accuracies and Preloads Available Upon Request

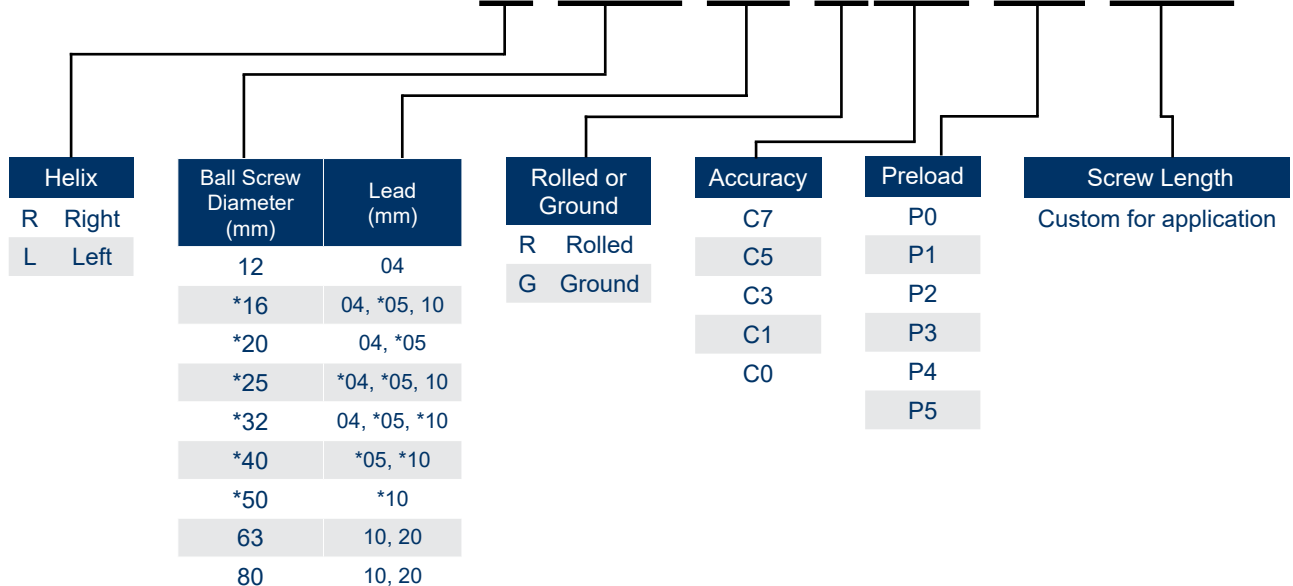


DESCRIPTION

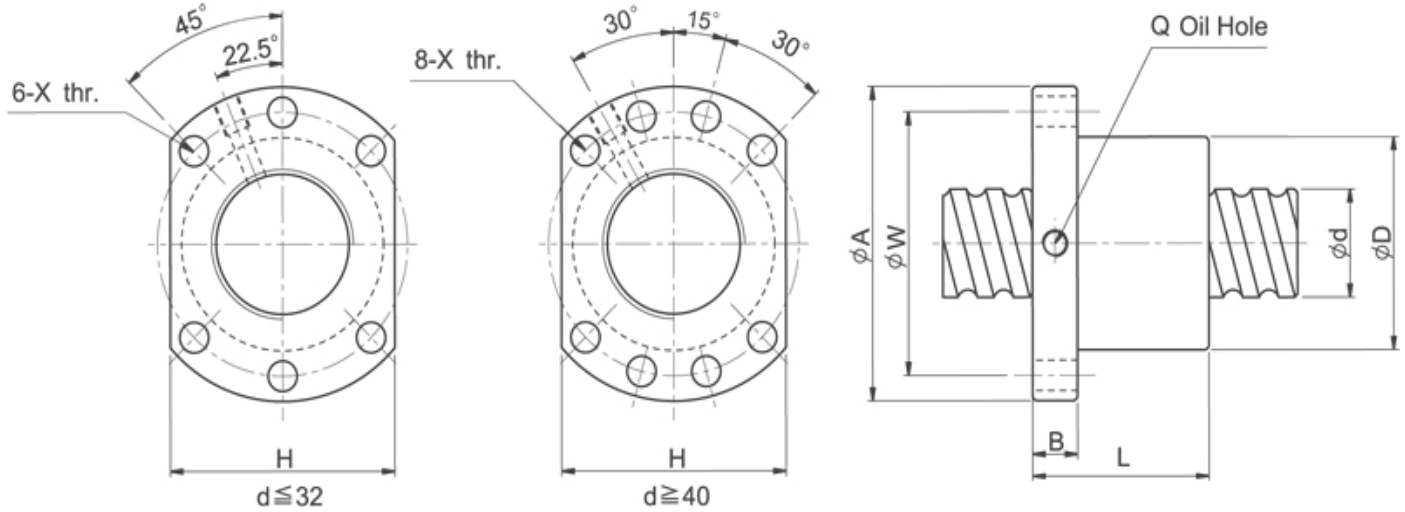
The SFU Series screw has a diameter of 12-80mm with a 4-20mm lead. This assembly provides a dynamic force of 12,911 kgf and a static forces up to 47,747 kgf. The maximum screw length is 6,000mm. The ends of the screw can be customized per your drawing. Please contact Anaheim Automation to discuss your specific requirements.

PART NUMBER LAYOUT

BSC-AAM-SFUR-012-04-RC7-P1-375



* =Also available in Left Helix
L010974



Units are in mm

Model No.	I: Lead		Da: Ball Dia.	D	n: Number of Circuits				K: Stiffness (kgf)			H*: Helix		Ca	Coa	K	H*	
	d	l	Da		A	B	L	W	H	X	Y	Z	Q					n
BSC-AAM-SFUR-012-04	12	4	2.5	24	40	10	40	32	30	4.5	-	-	-	1x4	902	1884	26	R
BSC-AAM-SFUR-016-04	16	4	2.381	28	48	10	40	38	40	5.5	-	-	M6	1x4	973	2406	32	R/L
BSC-AAM-SFUR-016-05	16	5	3.175	28	48	10	50	38	40	5.5	-	-	M6	1x4	1380	3052	32	R/L
BSC-AAM-SFUR-016-10	16	10	3.175	28	48	10	57	38	40	5.5	-	-	M6	1x3	1103	2401	26	R/L
BSC-AAM-SFUR-020-04	20	4	2.381	36	58	10	42	47	44	6.6	-	-	M6	1x4	1066	2987	38	R
BSC-AAM-SFUR-020-05	20	5	3.175	36	58	10	51	47	44	6.6	-	-	M6	1x4	1551	3875	39	R/L
BSC-AAM-SFUR-025-04	25	4	2.381	40	62	10	42	51	48	6.6	-	-	M6	1x4	1180	3795	43	L
BSC-AAM-SFUR-025-05	25	5	3.175	40	62	10	51	51	48	6.6	-	-	M6	1x4	1724	4904	45	R/L
BSC-AAM-SFUR-025-10	25	10	4.762	40	62	12	85	51	48	6.6	-	-	M6	1x4	2954	7295	50	R
BSC-AAM-SFUR-032-04	32	4	2.381	50	80	12	44	65	62	9	-	-	M6	1x4	1296	4838	51	R
BSC-AAM-SFUR-032-05	32	5	3.175	50	80	12	52	65	62	9	-	-	M6	1x4	1922	6343	54	R/L
BSC-AAM-SFUR-032-10	32	10	6.35	50	80	12	90	65	62	9	-	-	M6	1x4	4805	12208	61	R/L
BSC-AAM-SFUR-040-05	40	5	3.175	63	93	14	55	78	70	9	-	-	M8	1x4	2110	7988	63	R/L
BSC-AAM-SFUR-040-10	40	10	6.35	63	93	14	93	78	70	9	-	-	M8	1x4	5399	15500	73	R/L
BSC-AAM-SFUR-050-10	50	10	6.35	75	110	16	93	93	85	11	-	-	M8	1x4	6004	19614	85	R/L
BSC-AAM-SFUR-063-10	63	10	6.35	90	125	18	98	108	95	11	-	-	M8	1x4	6719	25358	99	R
BSC-AAM-SFUR-063-20	63	20	9.525	95	135	20	149	115	100	13.5	-	-	M8	1x4	11444	36653	112	R
BSC-AAM-SFUR-080-10	80	10	6.35	105	145	20	98	125	110	13.5	-	-	M8	1x4	7346	31953	109	R
BSC-AAM-SFUR-080-20	80	20	9.525	125	165	25	154	145	130	13.5	-	-	M8	1x4	12911	47747	138	R

Units are in mm

*PLEASE NOTE - Each standard ball screw includes **one** nut. Additional nuts will be considered a custom request, and will require creation of a special part number.